



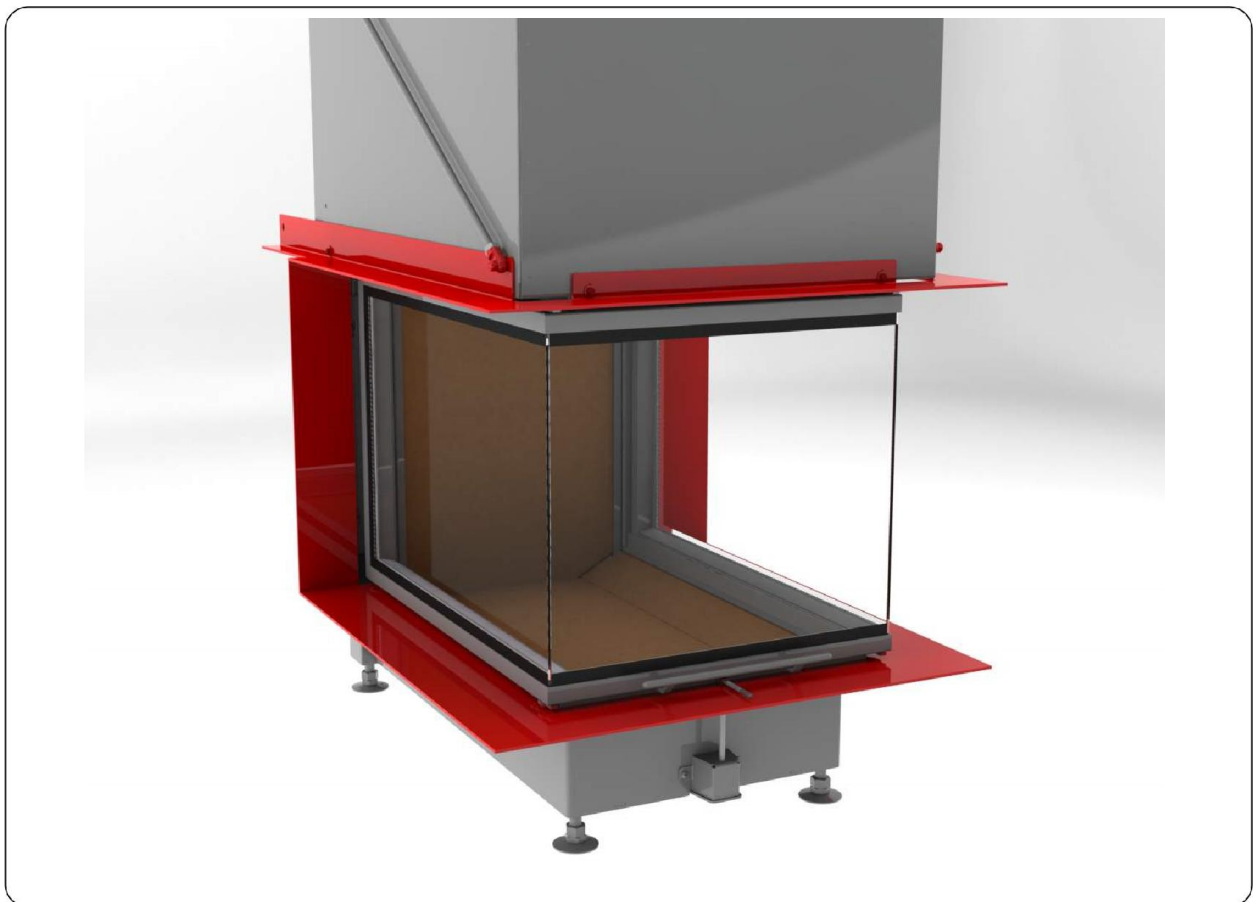
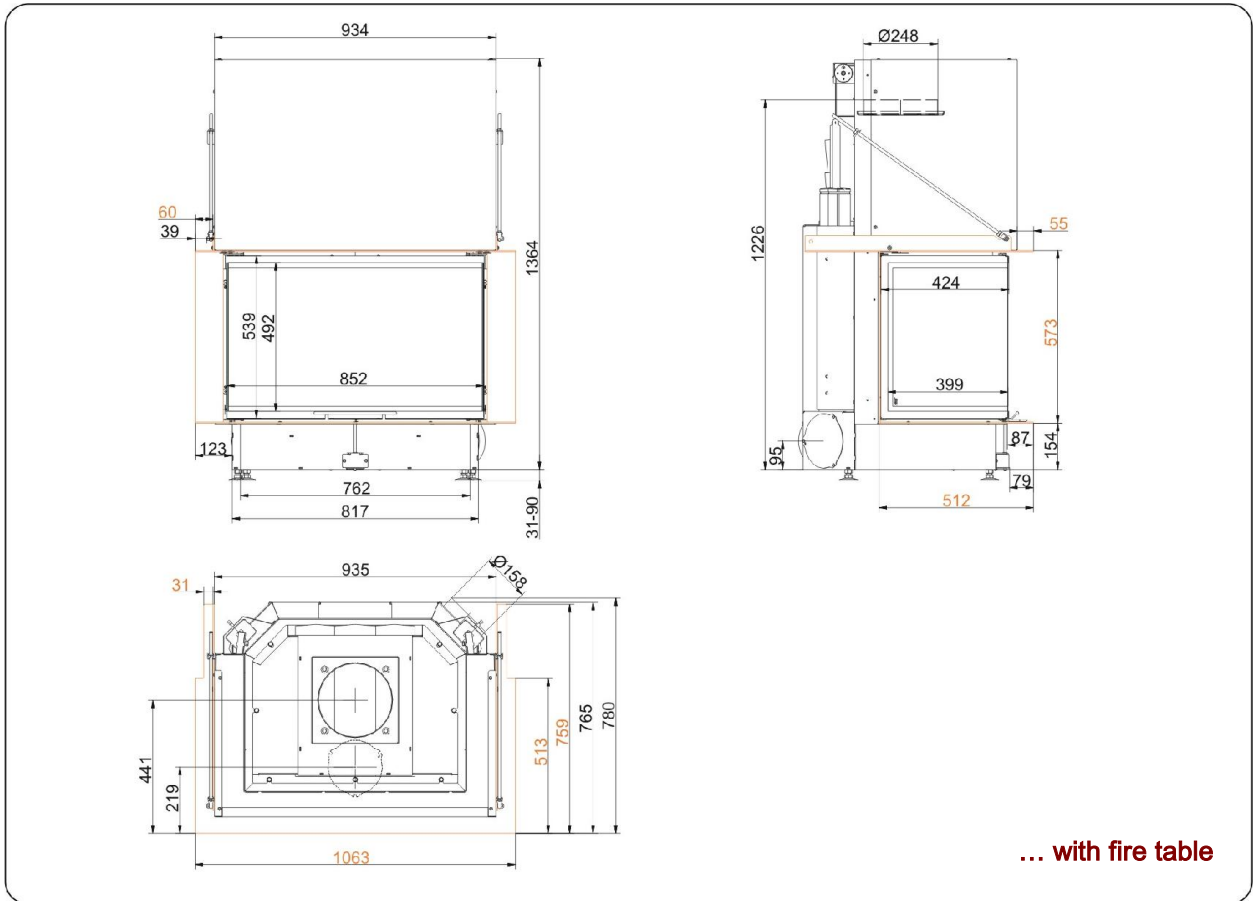
Panorama-Kamin 57/40/85/40 lifting doors (easy-lift)

State: 18.11.2014



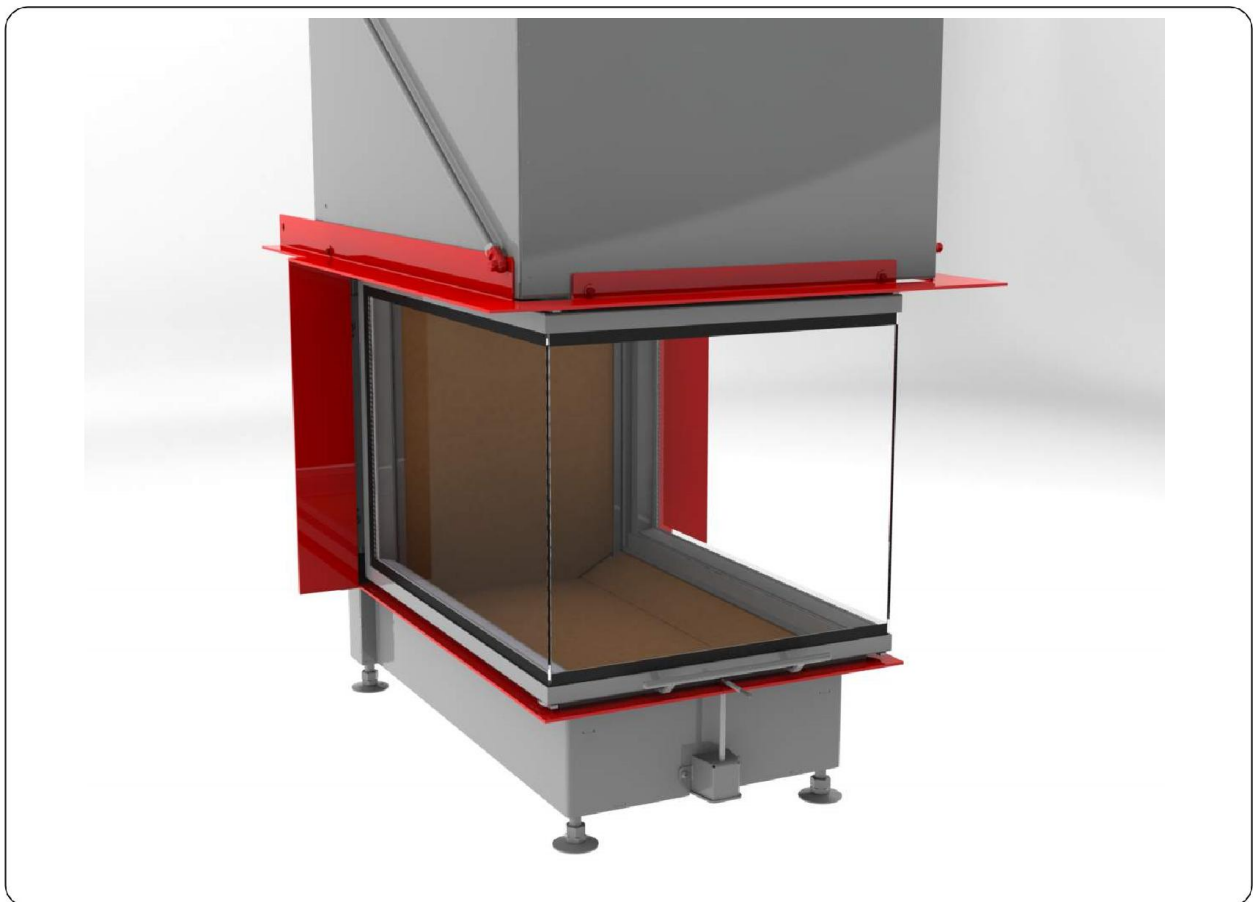
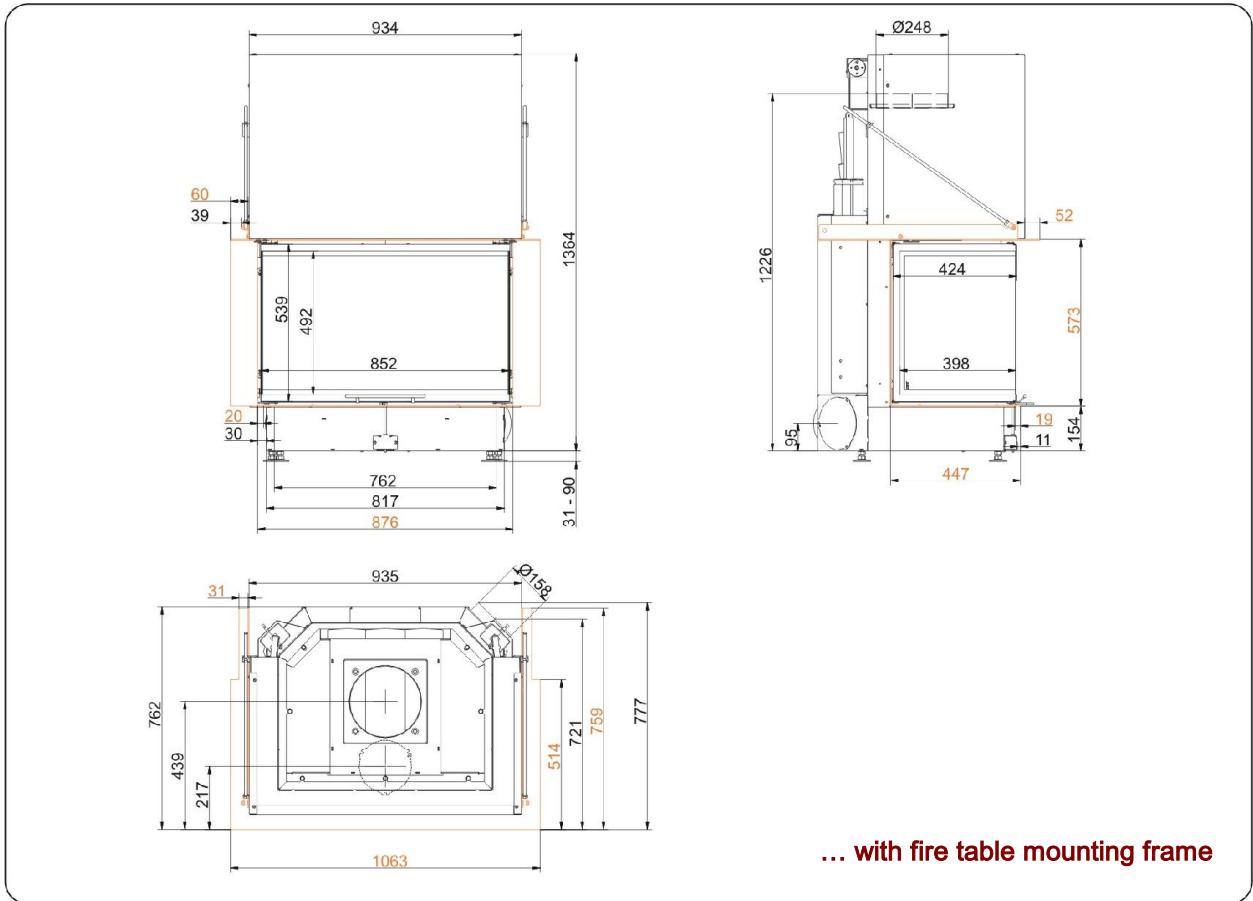
BRUNNER[®]
made in germany

Dimension sheet | **Panorama-Kamin 57/40/85/40 lifting doors (easy-lift)**



We suggest for CAD planing Palette CAD. Permanent updated drawings: www.brunner.de
 Frames / front versions are marked colored.

Dimension sheet | **Panorama-Kamin 57/40/85/40 lifting doors (easy-lift)**



We suggest for CAD planing Palette CAD. Permanent updated drawings: www.brunner.de
 Frames / front versions are marked colored.

Planning and installation

Panorama-Kamin 57/40/85/40

| | | |
|------------------------------------------------------------------|-------------------|-----------------------------------------------|
| Tested according to | | EN 13229 W |
| Values measured at | | nominal load |
| Suitable for all construction types according to rules | | OK |
| Data for functional demonstration | | |
| Rated heat power | kW | 13,5 |
| Firewood consumption | kg/h | 4,3 |
| Combustion performance | kW | 16 |
| Flue gas mass flow | g/s | 14 |
| Outlet temperature (before heating surface) | °C | - |
| Flue gas temperature after | | |
| attached steel smoke hood | °C | 220 |
| adjoining cast iron radiator (GNF10) | °C | - |
| accumulation rings (MAS) ¹⁾ | °C | - |
| adjoining ceramic accumulator ²⁾ | °C | - |
| accumulation stones (MSS) | °C | - |
| water boiler | °C | - |
| Necessary supply pressure | Pa | 12 |
| Combustion air consumption | m ³ /h | 45 |
| Combustion air connection Ø | mm | 160 |
| Heat distribution | | |
| Insert / heating surface | % | 50 / - |
| Glass (single / double) | % | 50 / - |
| Boiler | % | - |
| Cross-section of gratings for max. warm air power | | |
| Supply air | cm ² | 1000 |
| Warm air | cm ² | 1000 |
| Minimal oven surface for closed construction type | | |
| Surface giving off heat | m ² | 4,8 |
| Space inside oven chamber | | |
| Distance to oven chamber wall | cm | 8 |
| Distance to floor | cm | - |
| Heat insulation without / with ³⁾ air gratings | | |
| Wall | cm | 16 / 12 |
| Floor | cm | 2 / 2 |
| Ceiling | cm | 25 / 18 |
| Insulation of additional fire door DHT | cm | - |
| Brick lining of protected walls | cm | 10 |
| Weight | | |
| Fireplace + burning chamber | kg | 237 + 65 |
| meets requirement limit values for | | |
| Germany / Austria / Switzerland / Norway | | 1.BImSchV (Stufe 2) / 15a BVG / LRV / NS 3059 |

1) Throttle flap recommended

2) Approximate value, must be calculated eventually

3) Values with air gratings, stove casing is heat conducting

Ulrich Brunner GmbH
Zellhuber Ring 17 -18
D-84307 Eggenfelden
Phone: +49 / (0)87 21 / 7 71-0
Fax: +49 / (0)87 21 / 7 71-100
info@brunner.eu | www.brunner.eu

The logo for Brunner, featuring the word "BRUNNER" in a bold, sans-serif font. The letters are filled with a pattern of horizontal lines, giving it a textured appearance. A registered trademark symbol (®) is located at the top right of the logo.

BRUNNER products are offered and sold only by qualified dealers and service centres.
Subject to technical and assortment changes. Errors excepted. (11/14)