

| OPERATION WHEN DIRECTLY CONNECTED TO CHIMNEY         |                       |
|--|-----------------------|
| Tested according to                                  | EN 13229              |
| Nominal heat power                                   | 10 kW                 |
| Efficiency   | > 80 %                |
| Consumption of wood                                  | 3 kg/h                |
| Mass flow of flue gas                                | 9 g/s                 |
| <b>Average flue gas temperature</b><br>on the output | 265 °C                |
| <b>Heat distribution</b>                             |                       |
| fireplace insert                                     | 54–65 %               |
| door glass (single / double)                         | 46 / 35 %             |
| Required chimney pressure                            | 12 Pa                 |
| Required amount of combustion air                    | 30 m <sup>3</sup> /h  |
| Minimum supply air grating cross-section             | 1 200 cm <sup>2</sup> |
| Minimum outgoing air grating cross-section           | 1 400 cm <sup>2</sup> |

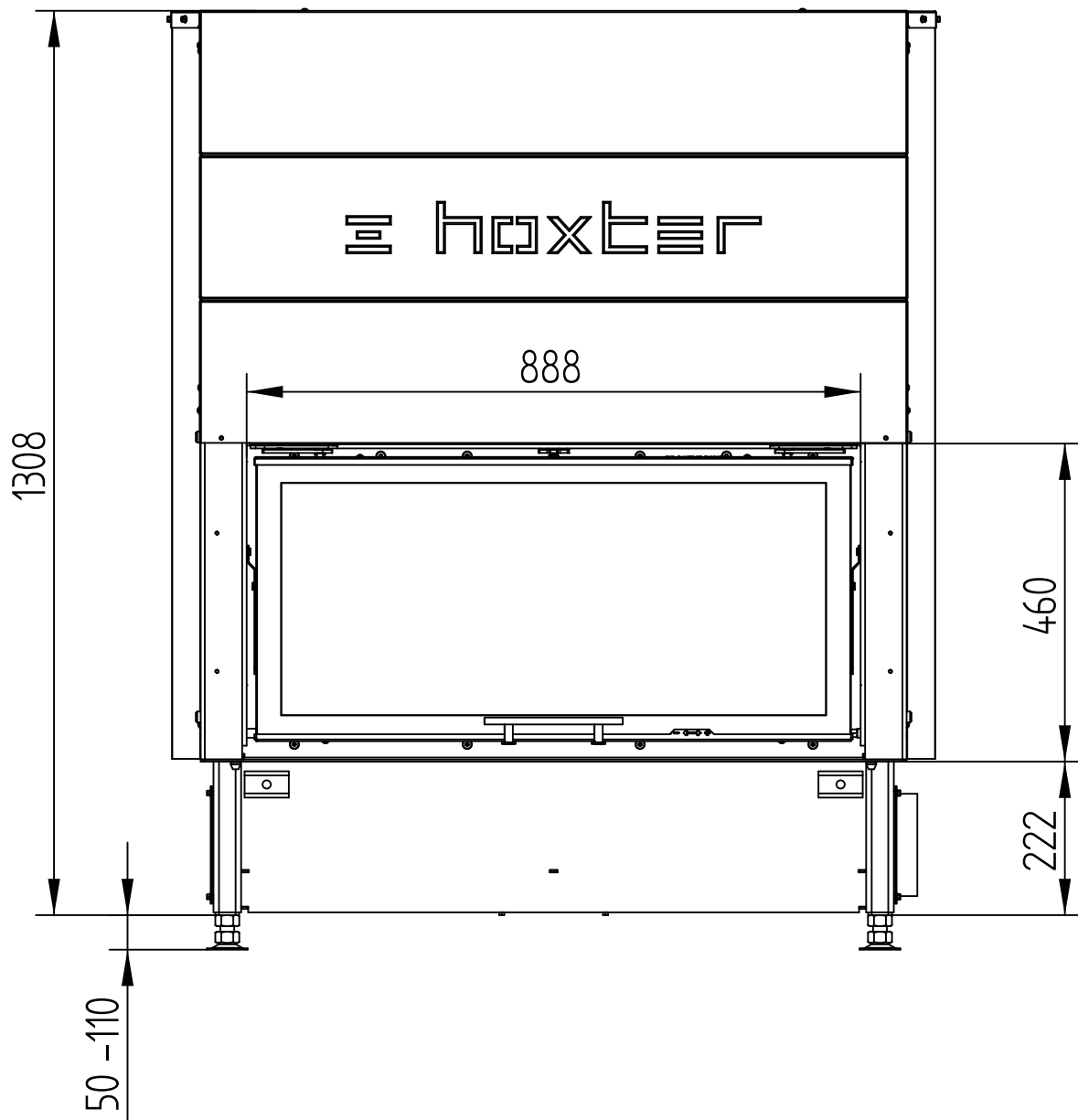
| GENERAL TECHNICAL INFORMATION                                      |   |
|--|---|
| Combustion air connection  | Ø 150 mm  |
| Total weight / lining weight                                       | 370 <sup>(A)</sup> - 312 <sup>(B)</sup> - 250 <sup>(C)</sup> / 105 kg |
| Use in non-ventilated accumulation builds according to craft rules | suitable  |
| Meets values   | BImSchV (Stufe2), 15a BVG   |

# HAKA 89/45T(h)

Technical data  
Version 07/2015

SLIDE-UP / SLIDE-UP DOORS (A)

M 1 : 10

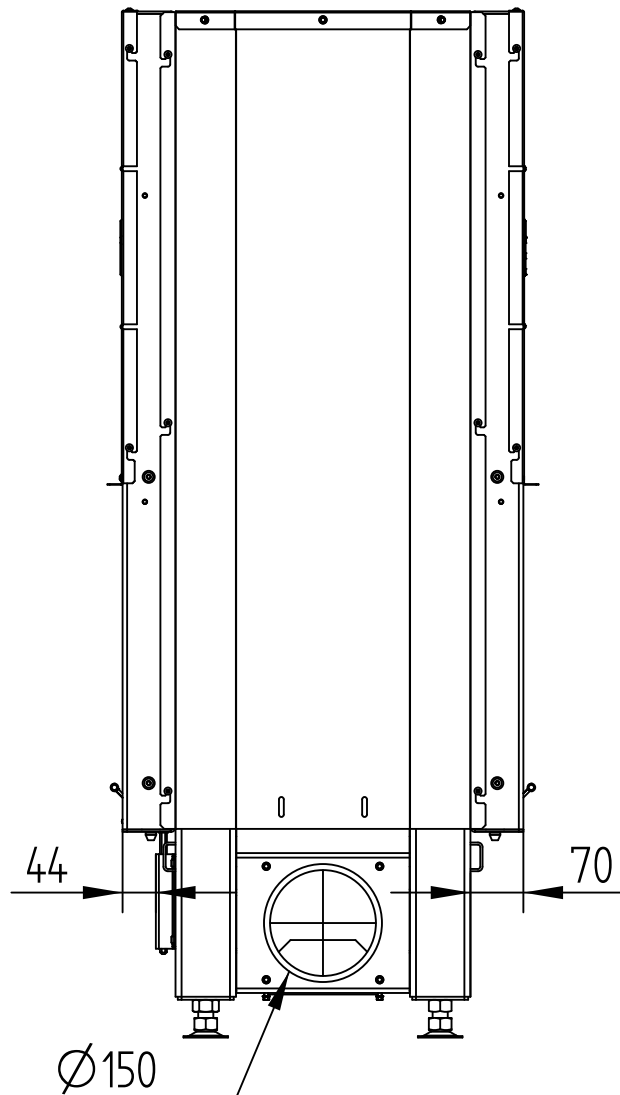


# HAKA 89/45T(h)

Technical data  
Version 07/2015

SLIDE-UP / SLIDE-UP DOORS (A)

M 1 : 10

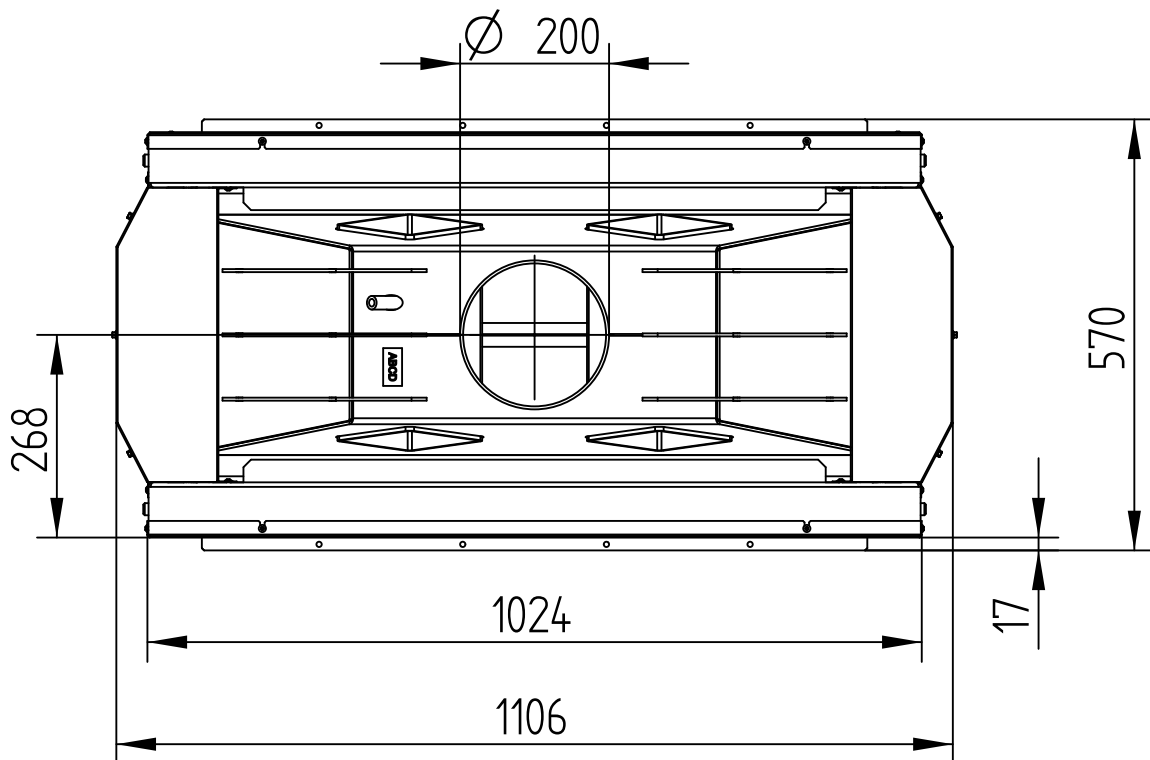


# HAKA 89/45T(h)

Technical data  
Version 07/2015

SLIDE-UP / SLIDE-UP DOORS (A)

M 1 : 10

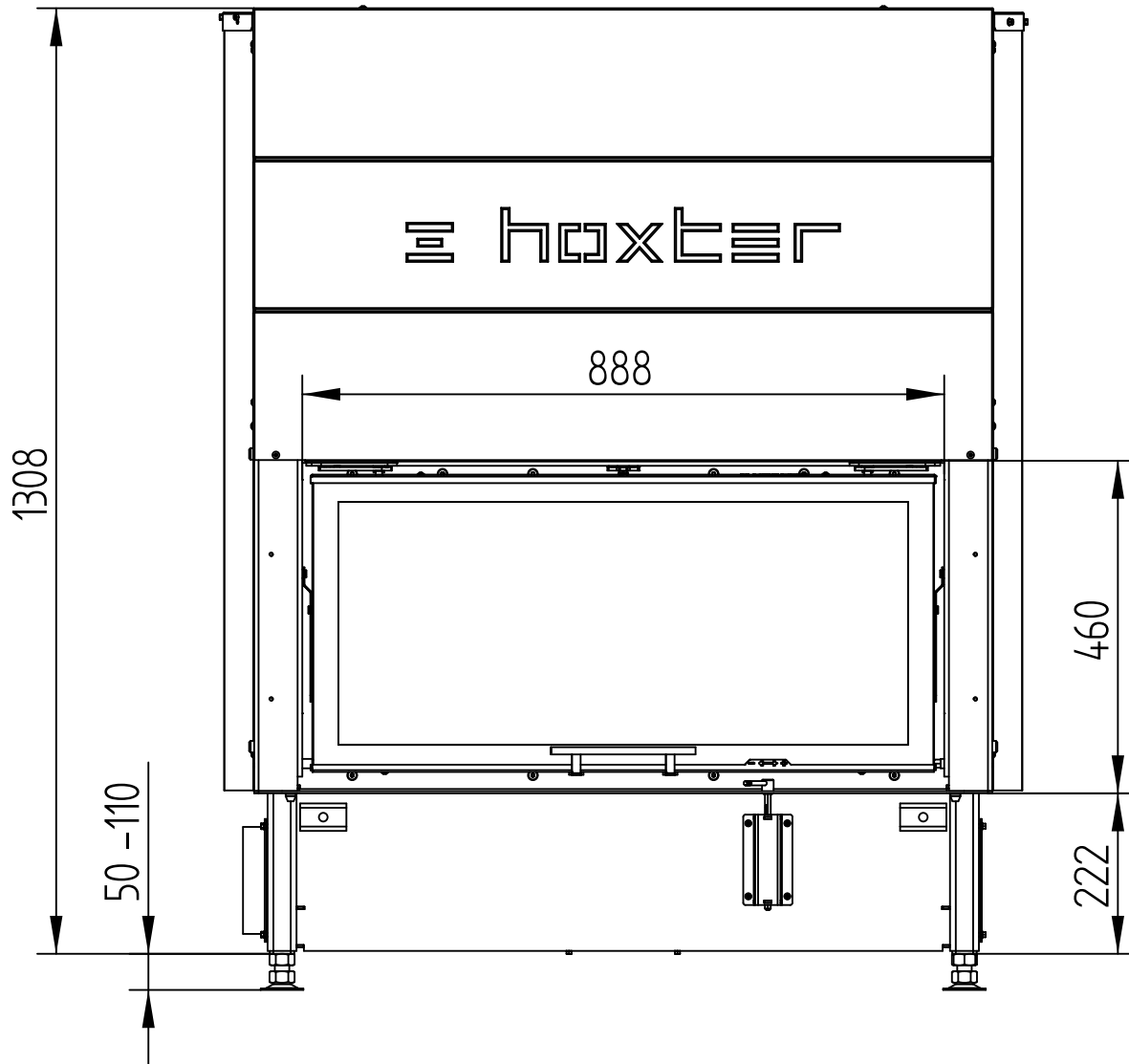


# HAKA 89/45T(h)

Technical data  
Version 07/2015

SLIDE-UP / HINGED DOORS <sup>(B)</sup>

M 1 : 10

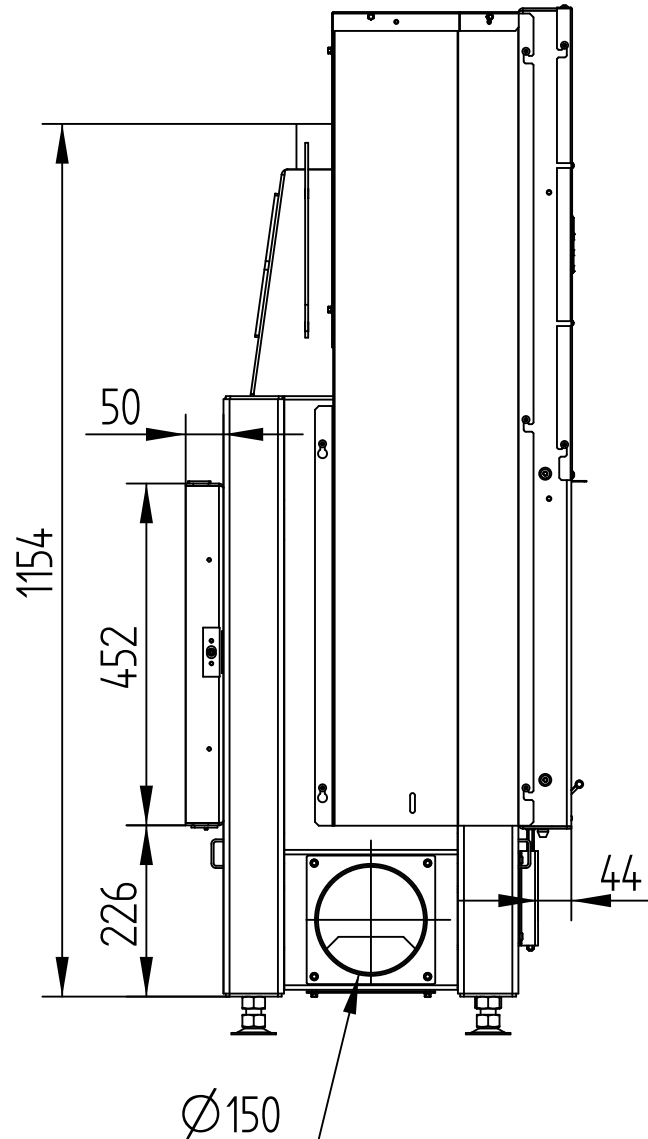


# HAKA 89/45T(h)

Technical data  
Version 07/2015

SLIDE-UP / HINGED DOORS <sup>(B)</sup>

M 1 : 10

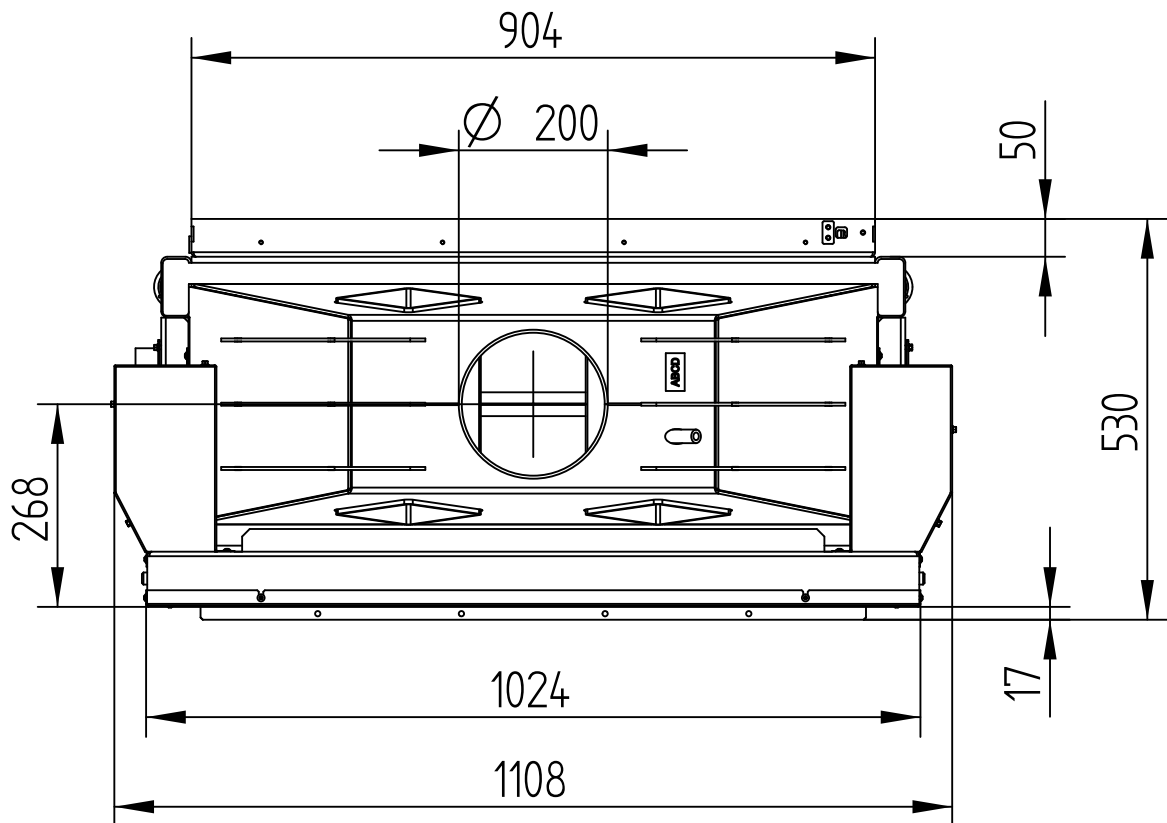


# HAKA 89/45T(h)

Technical data  
Version 07/2015

SLIDE-UP / HINGED DOORS <sup>(B)</sup>

M 1 : 10

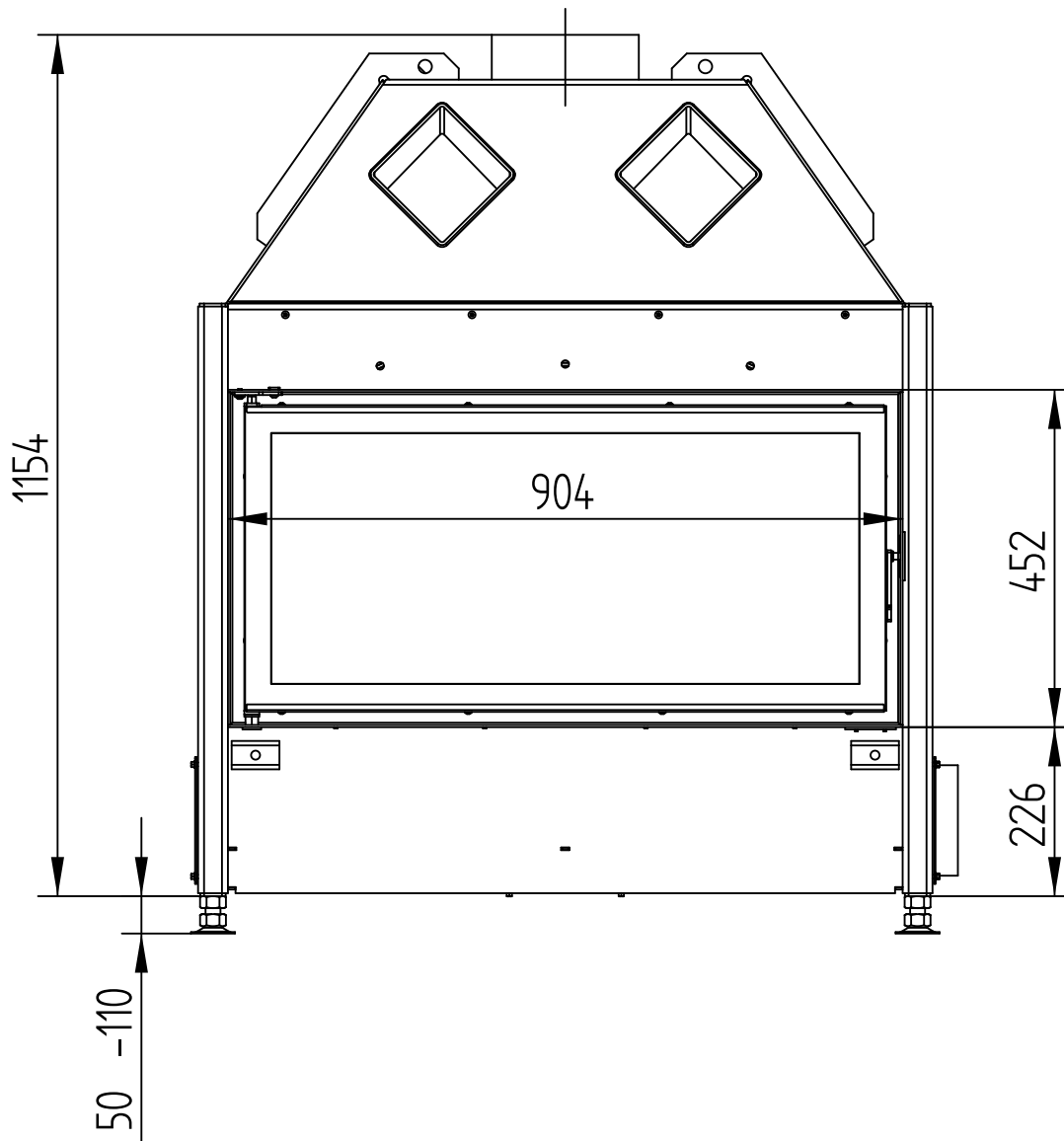


# HAKA 89/45T(h)

Technical data  
Version 07/2015

HINGED / HINGED DOORS (C)

M 1 : 10



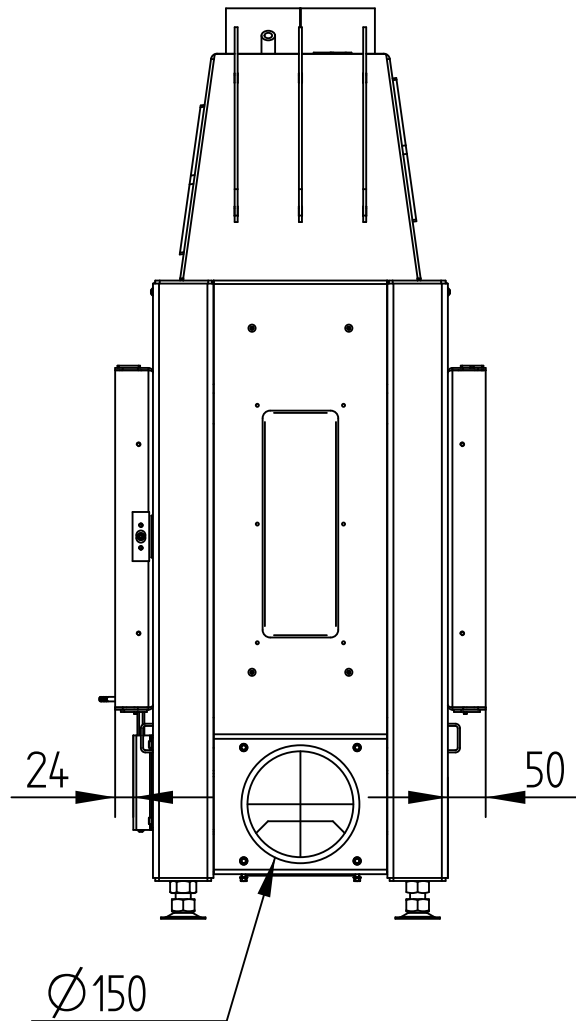


# HAKA 89/45T(h)

Technical data  
Version 07/2015

HINGED / HINGED DOORS (C)

M 1 : 10

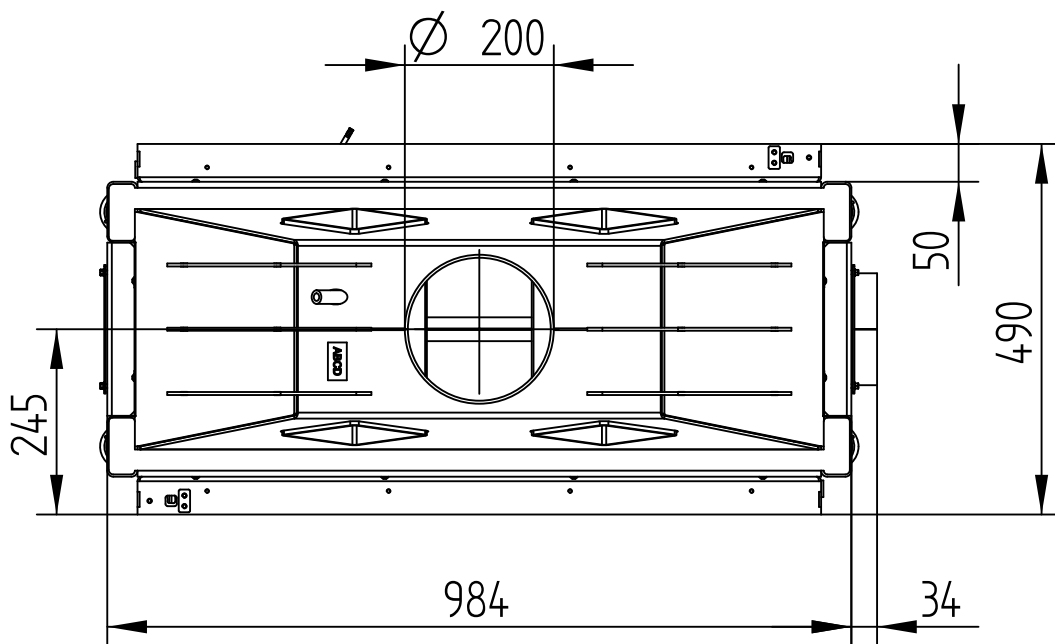


# HAKA 89/45T(h)

Technical data  
Version 07/2015

HINGED / HINGED DOORS (C)

M 1 : 10



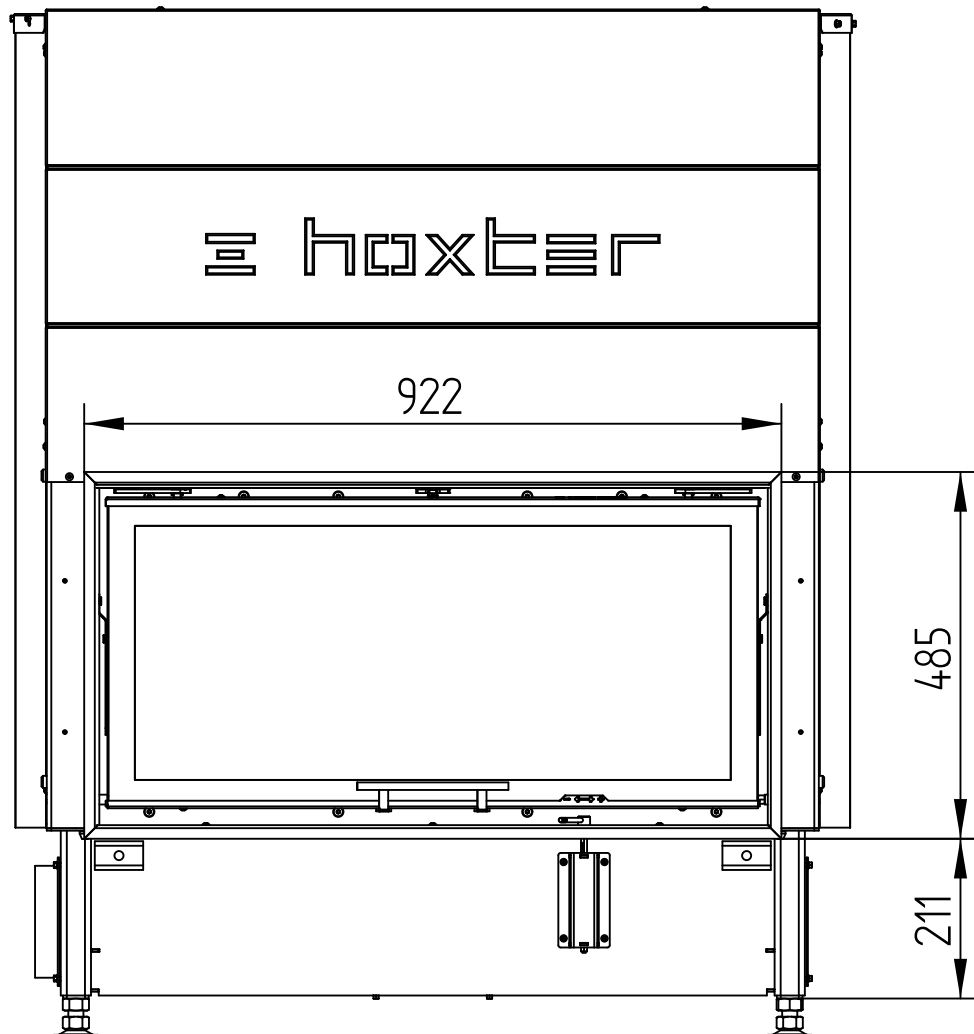
# HAKA 89/45T(h)

Technical data  
Version 07/2015

COVER FRAME 4-SIDED 1 x 90°, 50 mm

M 1 : 10

Slide-up doors



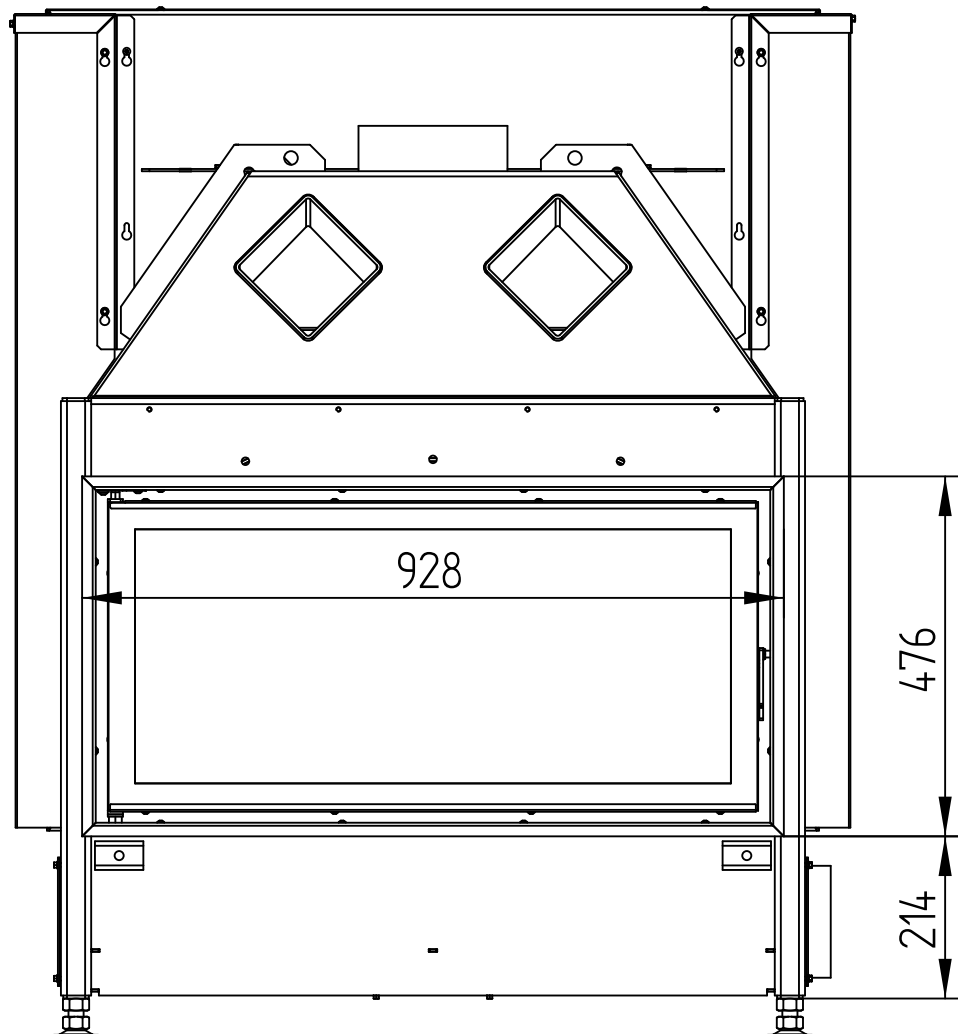
# HAKA 89/45T(h)

Technical data  
Version 07/2015

COVER FRAME 4-SIDED 1 x 90°, 50 mm

M 1 : 10

Hinged doors

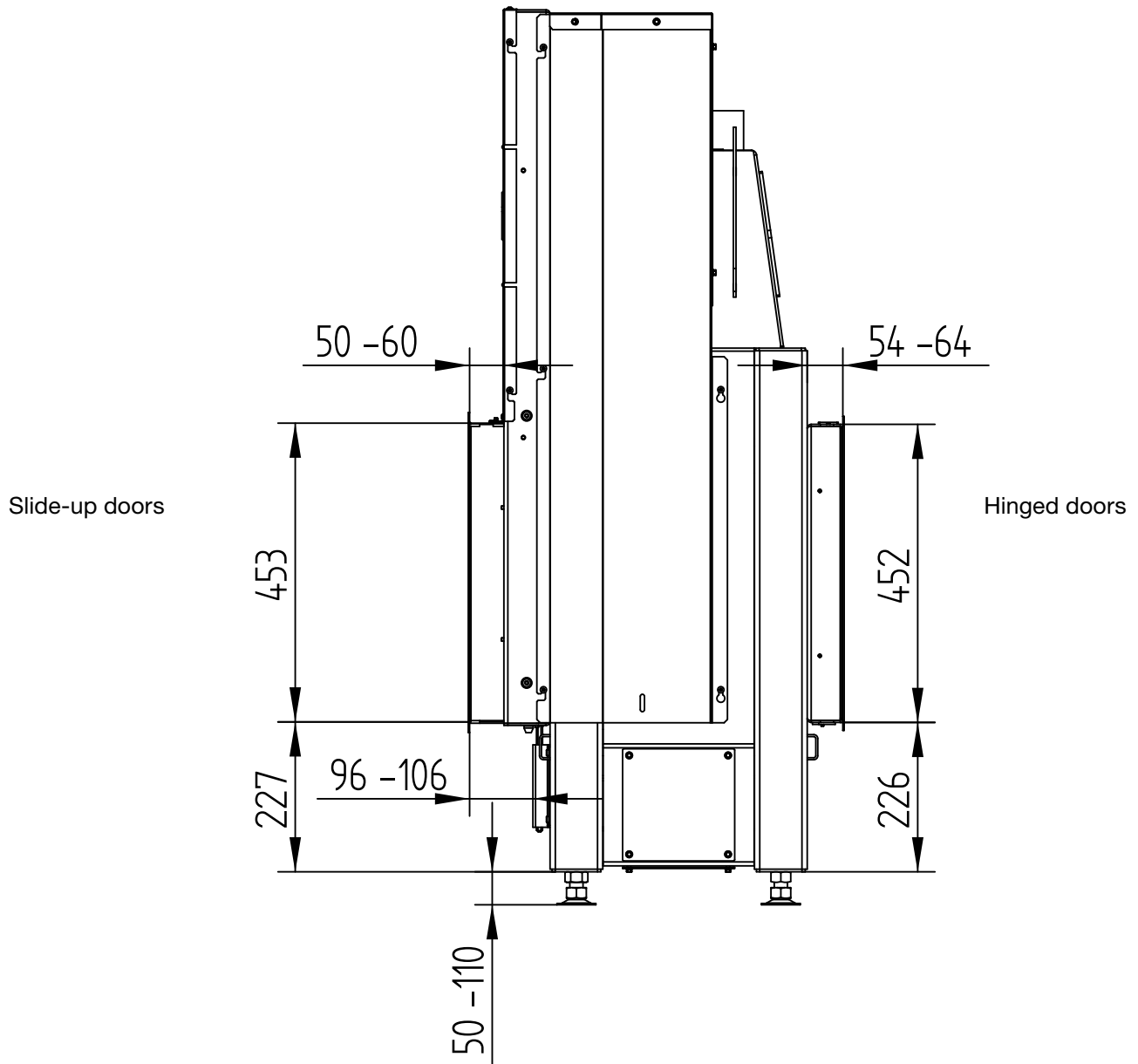


# HAKA 89/45T(h)

Technical data  
Version 07/2015

COVER FRAME 4-SIDED 1 x 90°, 50 mm

M 1 : 10

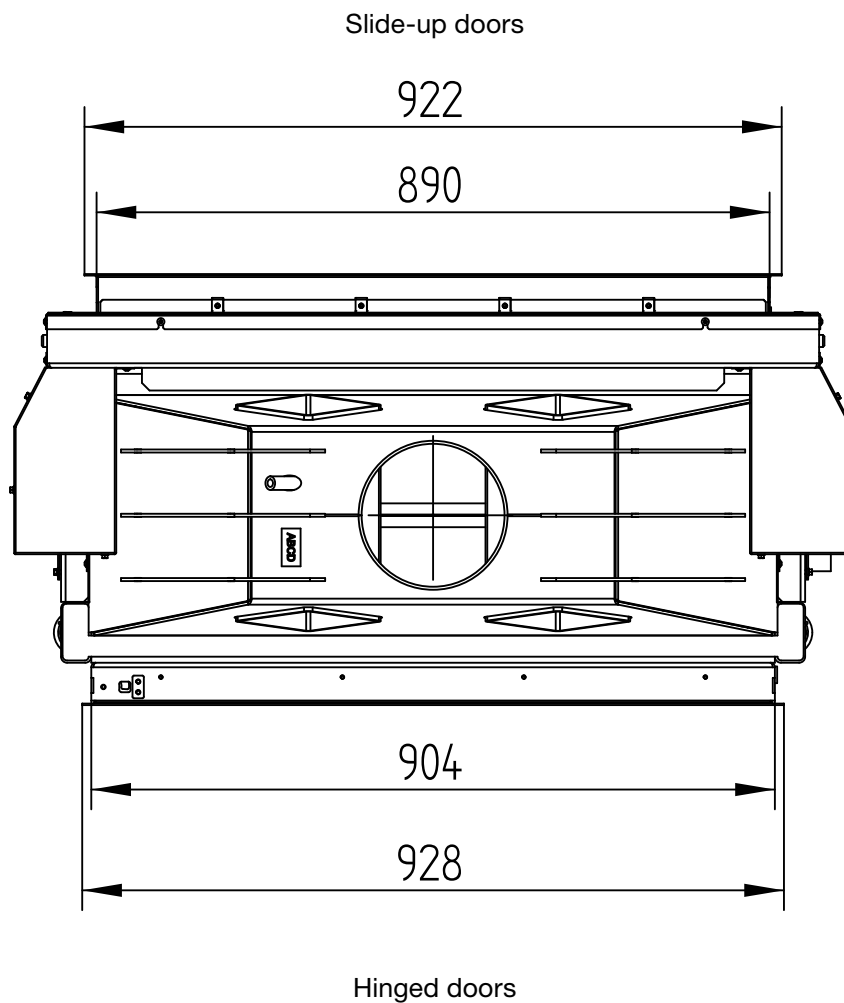


# HAKA 89/45T(h)

COVER FRAME 4-SIDED 1 x 90°, 50 mm

Technical data  
Version 07/2015

M 1 : 10



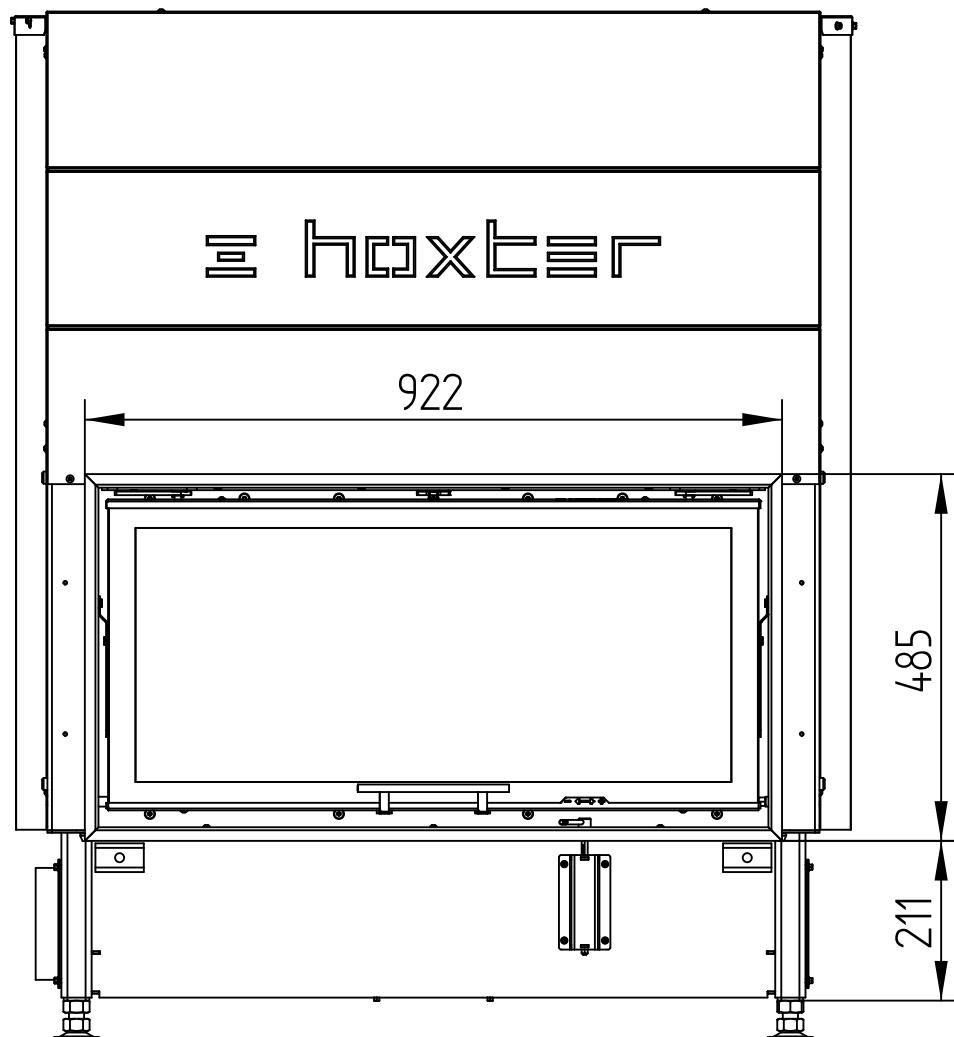
# HAKA 89/45T(h)

Technical data  
Version 07/2015

COVER FRAME 4-SIDED 1 x 90°, 80 mm

M 1 : 10

Slide-up doors



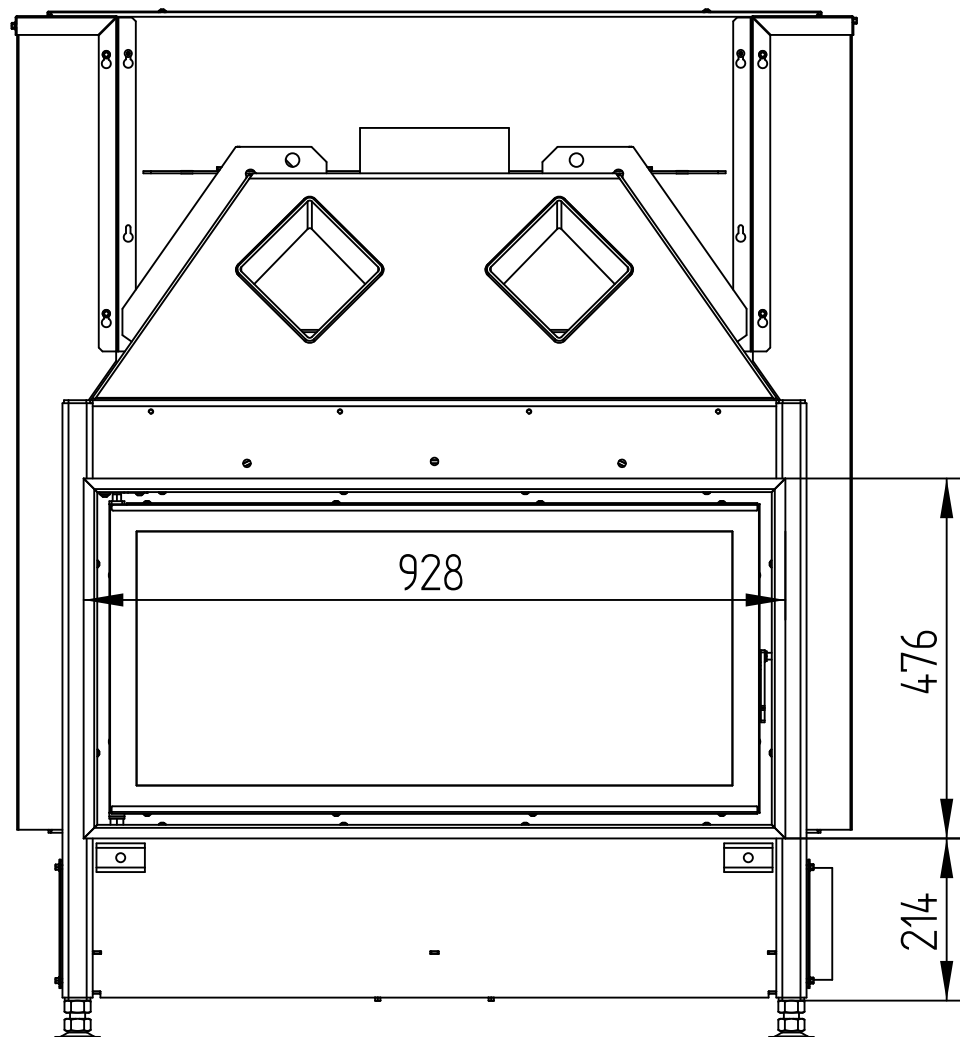
# HAKA 89/45T(h)

Technical data  
Version 07/2015

COVER FRAME 4-SIDED 1 x 90°, 80 mm

M 1 : 10

Hinged doors



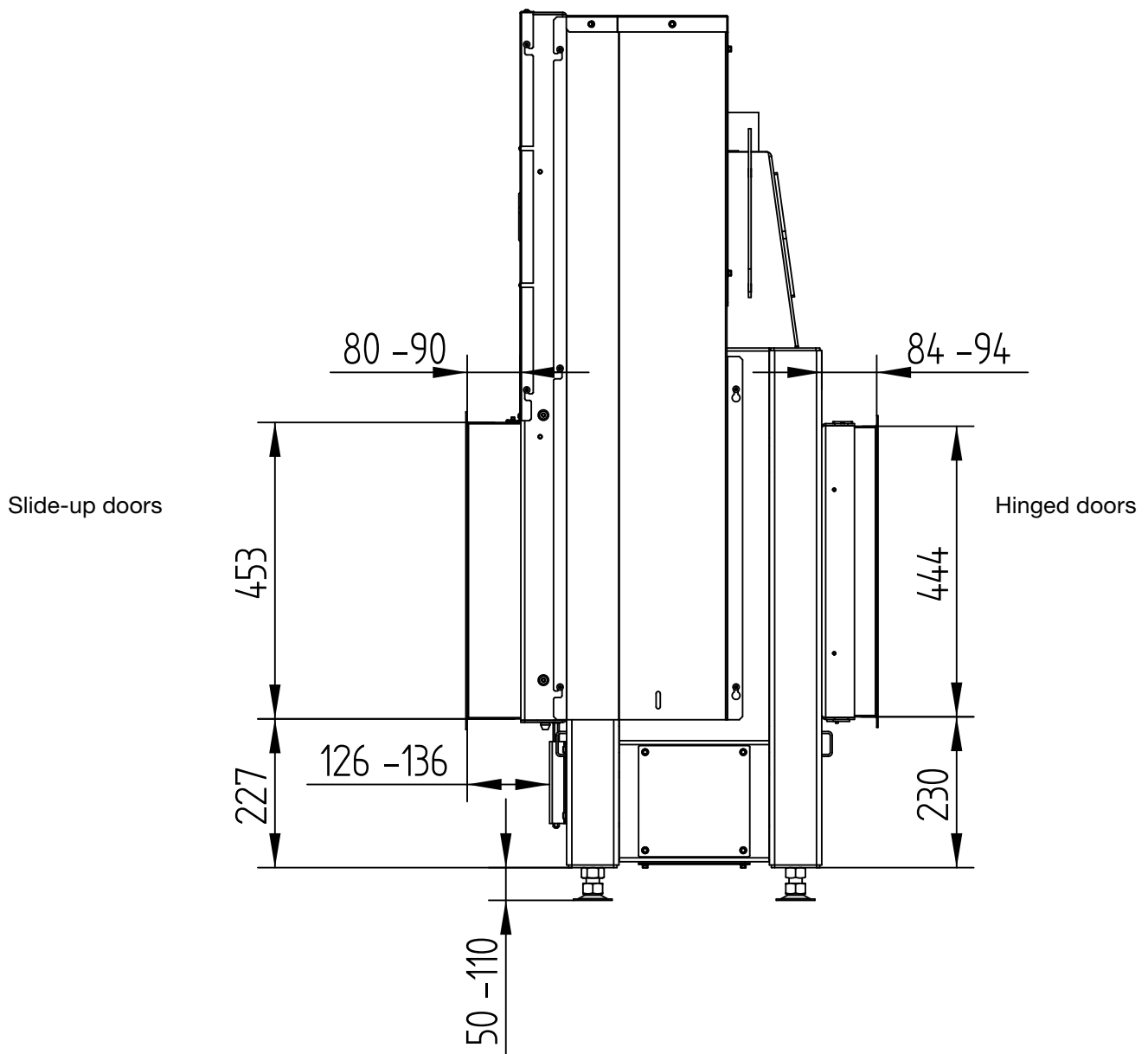


# HAKA 89/45T(h)

Technical data  
Version 07/2015

COVER FRAME 4-SIDED 1 x 90°, 80 mm

M 1 : 10

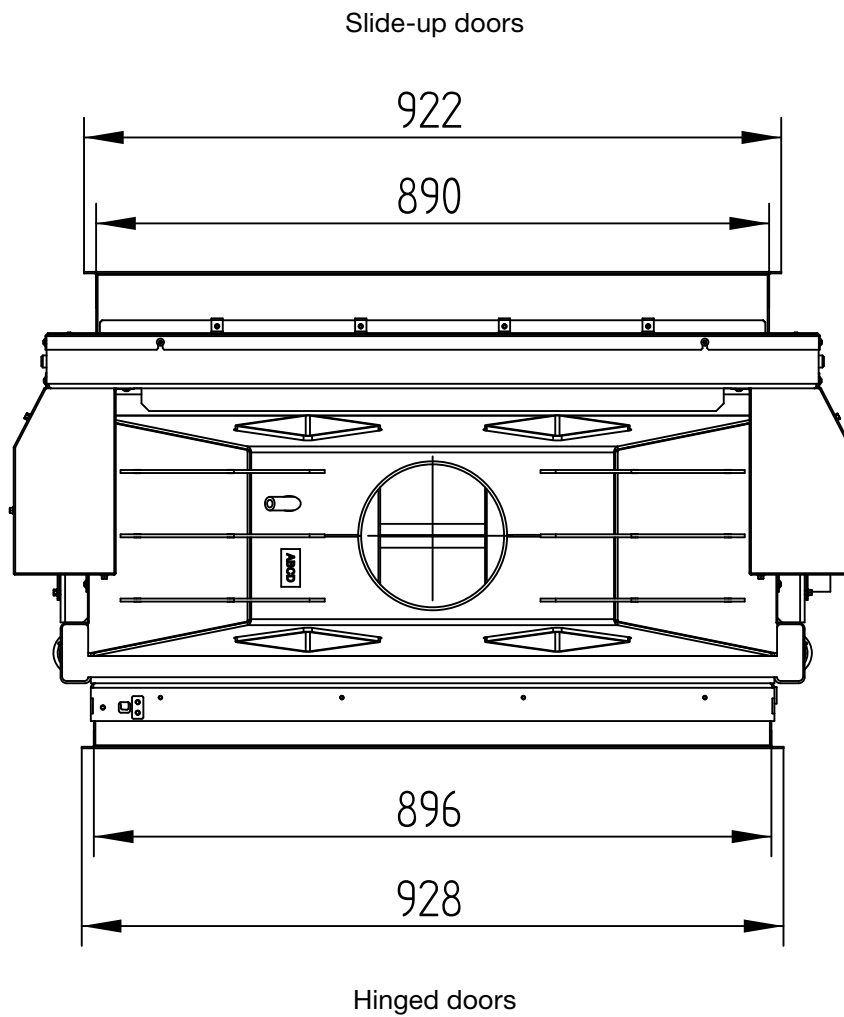


# HAKA 89/45T(h)

COVER FRAME 4-SIDED 1 x 90°, 80 mm

Technical data  
Version 07/2015

M 1 : 10



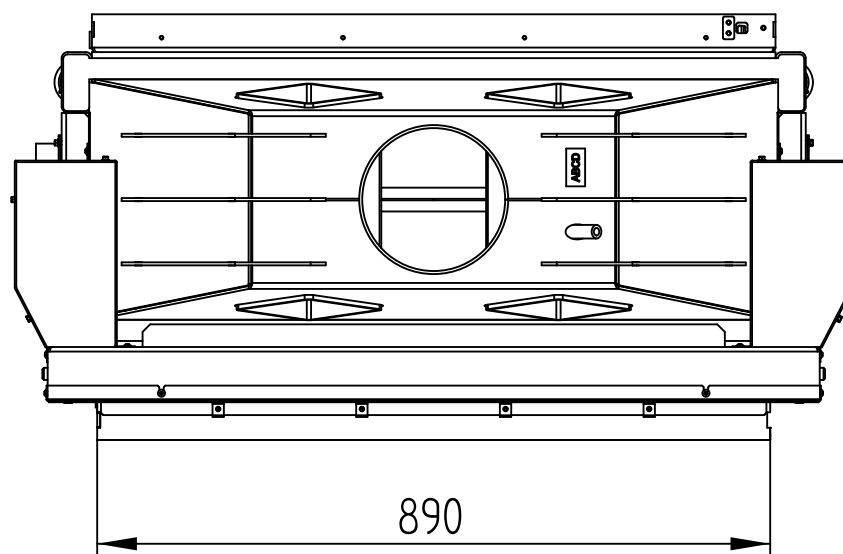
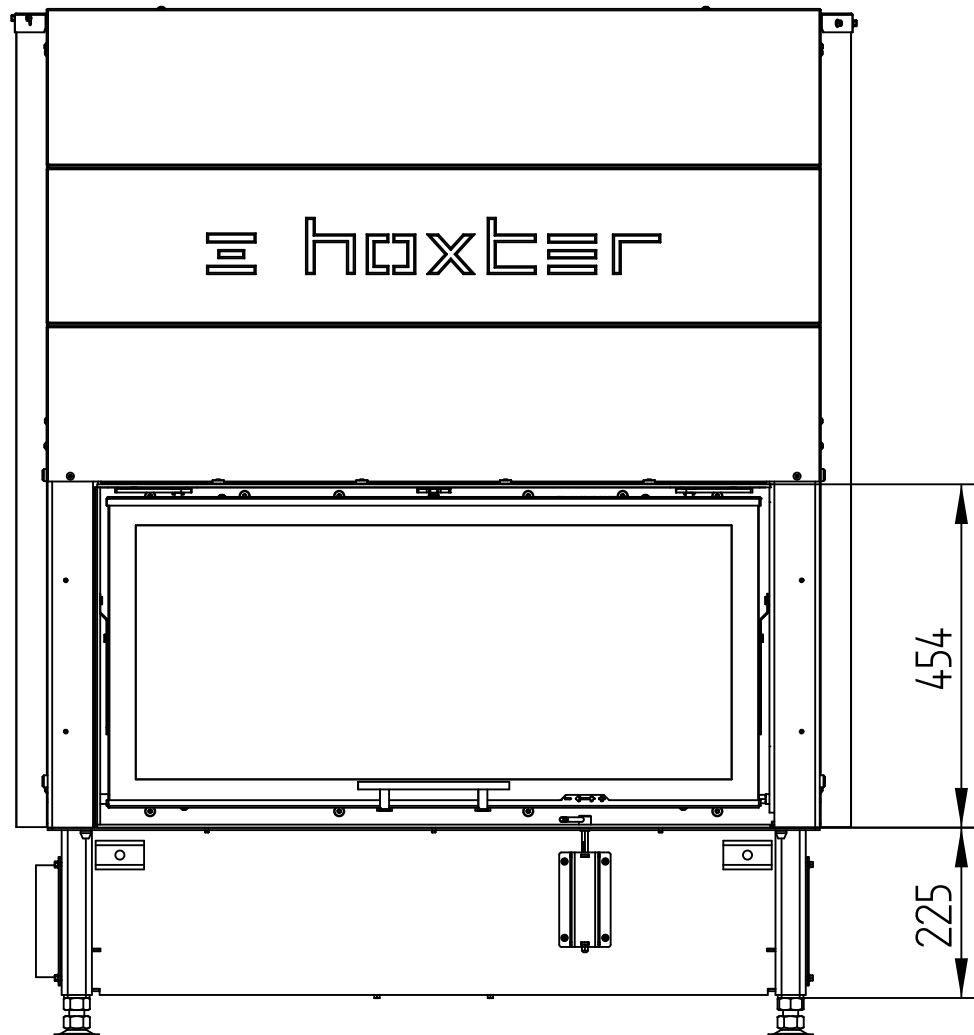
# HAKA 89/45T(h)

Technical data  
Version 07/2015

BUILD-ON FRAME 4-SIDED, 50 mm

M 1 : 10

Slide-up doors



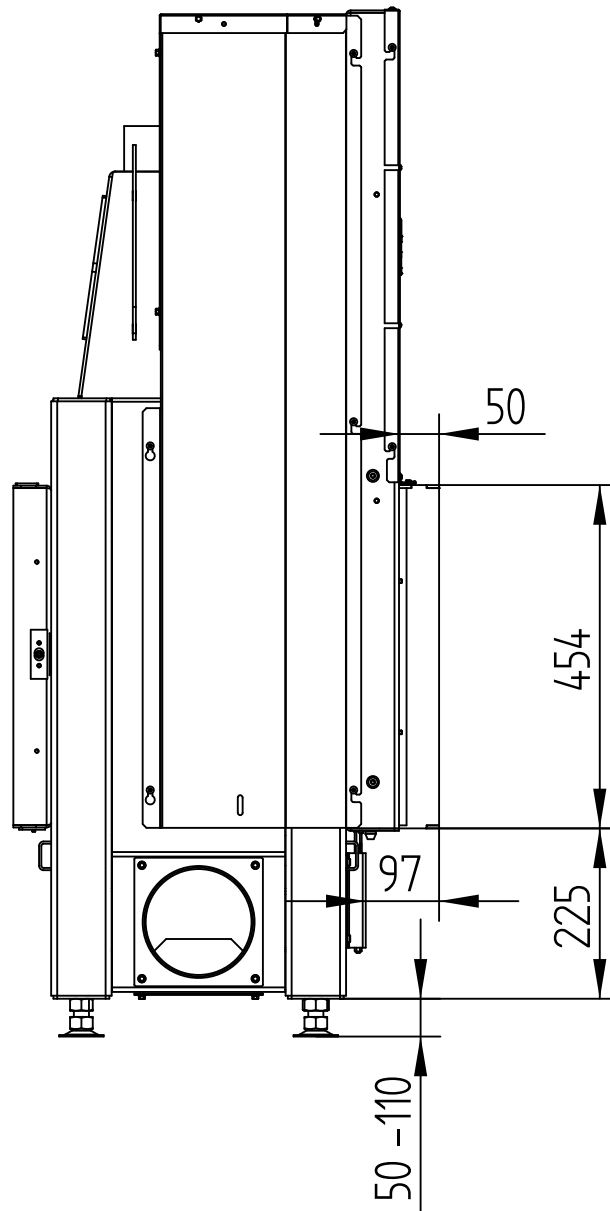
# HAKA 89/45T(h)

Technical data  
Version 07/2015

BUILD-ON FRAME 4-SIDED, 50 mm

M 1 : 10

Slide-up doors

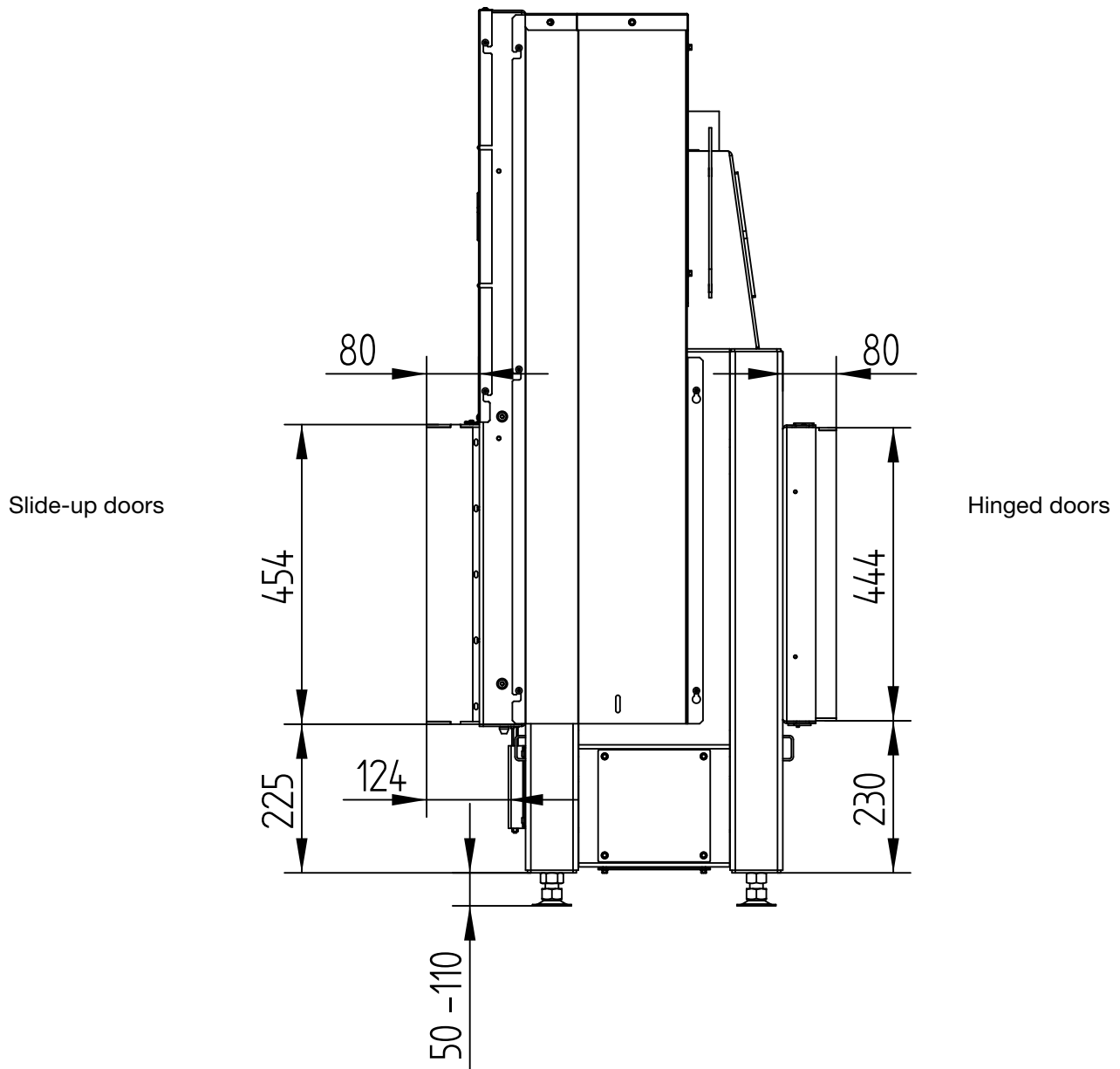


# HAKA 89/45T(h)

BUILD-ON FRAME 4-SIDED, 80 mm

Technical data  
Version 07/2015

M 1 : 10



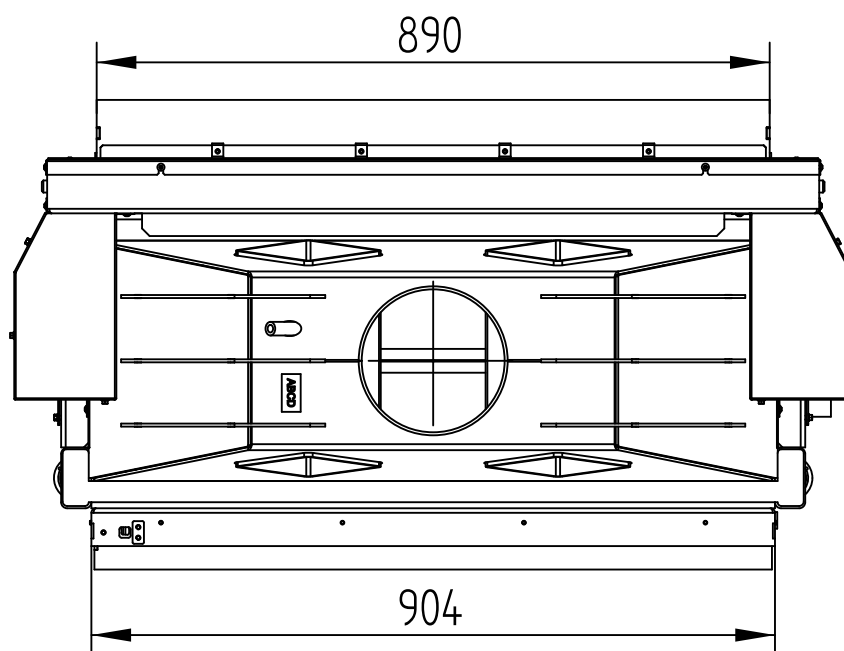
# HAKA 89/45T(h)

BUILD-ON FRAME 4-SIDED, 80 mm

Technical data  
Version 07/2015

M 1 : 10

Slide-up doors



Hinged doors